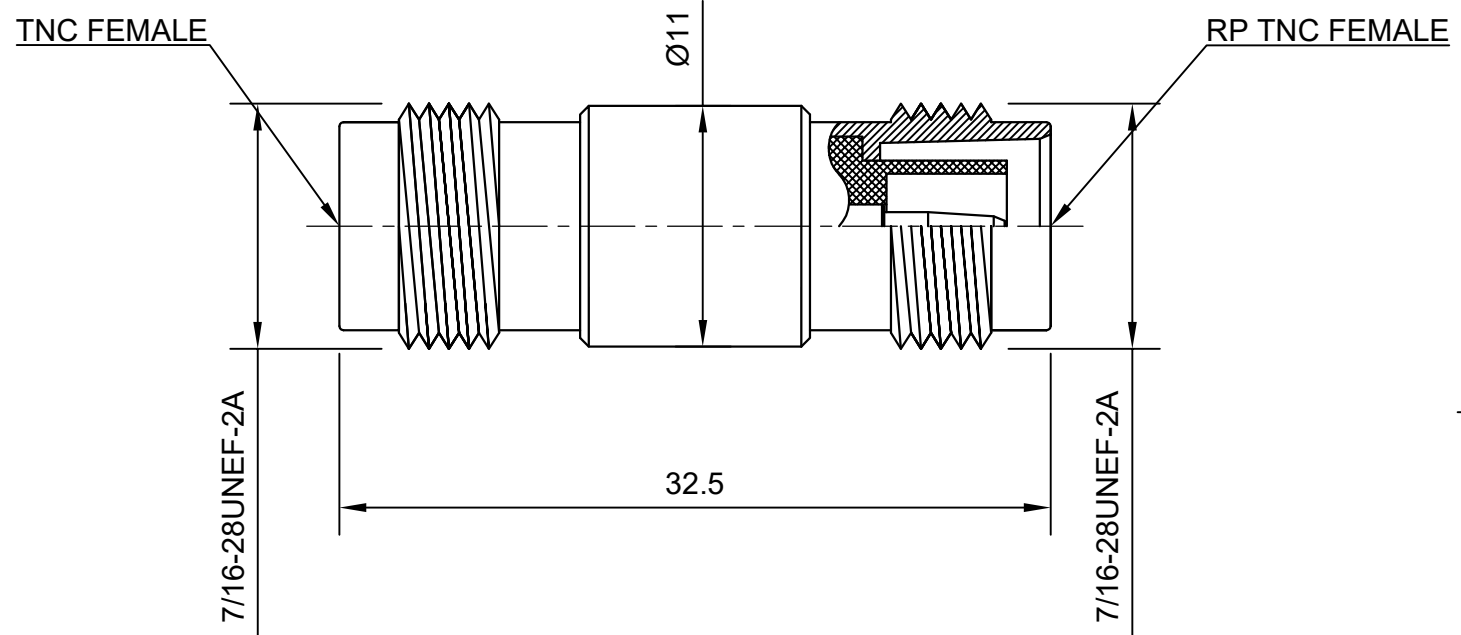


RevNo	Revision note	Date	Signature	Checked



TECHNICAL DATA	
Type	Adapter
Orientation	Straight
Impedance (Ohms)	50
Adapter Side 1	TNC
Side 1 Gender	Jack
Adapter Side 2	RP TNC
Side 2 Gender	Jack
Body Finish	Nickel
Body Material	Brass
Contact Finish	Gold
Contact Material	Phosphor Bronze
Insulator Material	Delrin
Max. Frequency (GHz)	11
Mounting Feature	--
Min. Temp. (Celsius)	-40
Max. Temp. (Celsius)	85
Weight (Grams)	15.0

	SHEET	1 of 1	SCALE	NTS
	RF ADAPTER			
	TNC Female to RP TNC Female			
	STRAIGHT TYPE			
	DWG NO VSW-AD-843221RP-S			
DRAWN	VINAY	27.10.2018		
CHECK				
APPR.	VINAY	27.10.2018		
ISSUED				
REV	R0			

FILE PATH: D:\VINSUR\DRAWINGS -- VINSUR\ADAPTERS\TNC - TNC
 FILE NAME: ADAPTER - RP TNC Female to TNC Female - VSW-AD-843221RP-S.dwg

SIZE